

## Beamline Support Assemblies



### APPLICATIONS

The NEC beamline support assembly is used wherever support and accurate adjustment is required for beamline tubing.

These assemblies have been in use for many years on the standard Pelletron® accelerator systems throughout the world. They have allowed precise adjustment while providing secure support.

### DESIGN

The beamline support assembly is a cast aluminum structure with four adjustment screws. The top third of the support ring is removable.

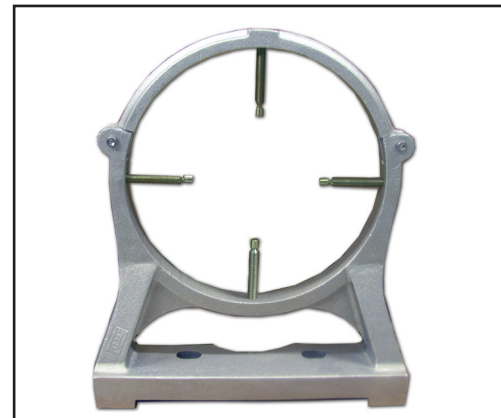
The beamline support assembly can support beam tubes with O.D. as large as 8.0" and as low as 6.0". Adapters are available to accommodate beam tube diameters as low as 2.0". The adjustment is provided by four 3/8-16 x 3" long screws with swivel pads on one end. Adjustment is made using a standard allen wrench.

The base of the cast aluminum assembly has bolt holes that allow it to be secured to a beamline support frame.

### OPTIONS

For beam tube diameters 4.0" or less, insert adapters are available that clamp directly to the pipe and are supported from the adjustment screws in the beamline support assembly. These adapters allow secure support without overextension of the adjustment screws.

A larger version of the beamline support assembly is available that can accommodate beam tubes up to 9.0". Please contact NEC for more information regarding these options.



*9.5" ID beamline support for tubes up to 9.0" OD.*

### ACCESSORIES

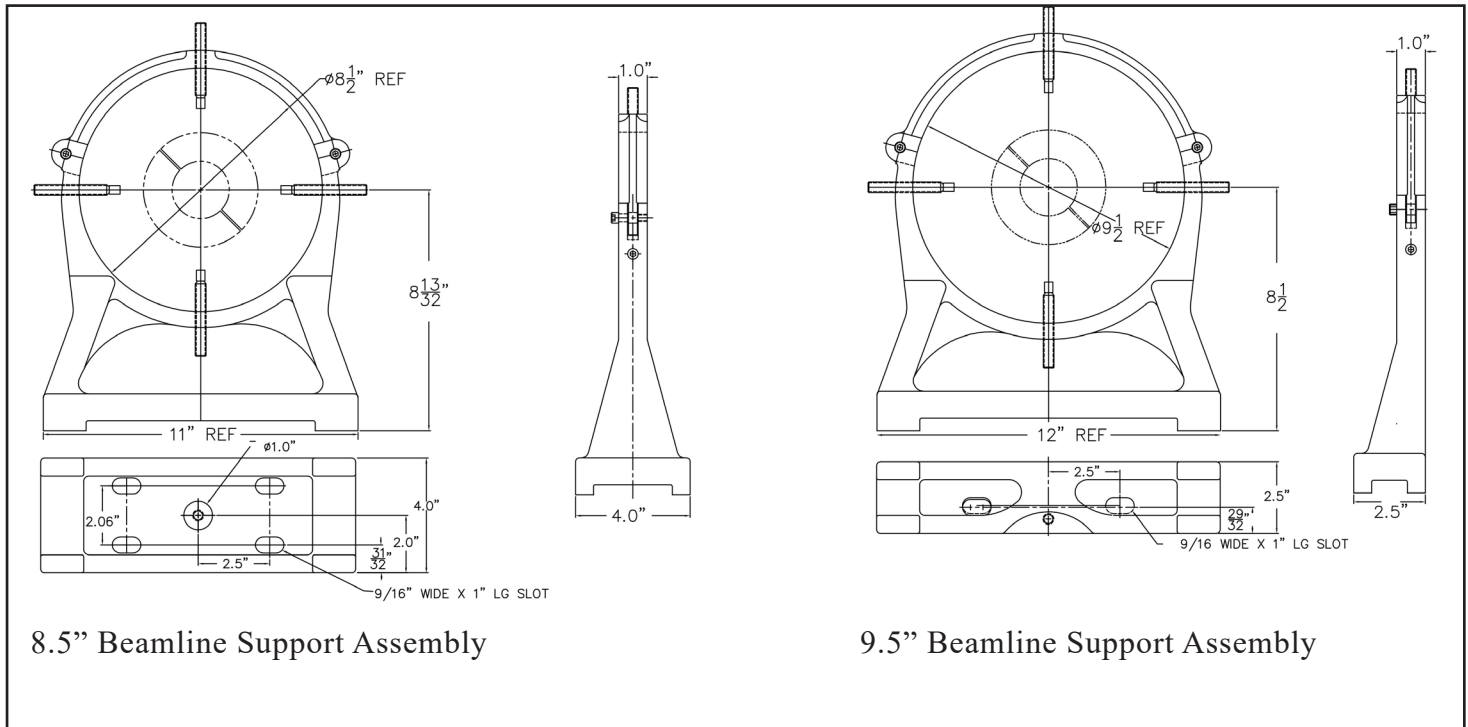
NEC can also supply beamline support frames, beam tubing, and a wide variety of flange assemblies built to your custom specifications.

[Beamline Support v1]

# Beamline Support Assemblies

## SPECIFICATIONS

Material:	Cast aluminum
Adjustment:	4 screws with swivel pads, 0.375x16, 3.0" Lg
maximum Pipe O.D.:	8.5" model: 8.0" nominal 9.5" model: 9.0" nominal
Maximum Design Load:	300lbs
Available Adapters:	<b>2AD004450</b> beam tube support adapter, 4.0" bore x 6.0" OD <b>2AD004451</b> beam tube support adapter, 3.0" bore x 6.0" OD <b>2AD004452</b> beam tube support adapter, 2.0" bore x 6.0" OD



## ORDERING INFORMATION

Catalog No.: 2AA003510 8.5" Beamline Support Assembly

2AA003470 9.5" Beamline Support Assembly

Shipping weight: 10 lbs. (4.5 kg)

F.O.B. Middleton, Wisconsin U.S.A.



[Beamline Support v1]

7540 Graber Rd., P.O. Box 620310, Middleton, WI 53562-0310 USA

TELEPHONE: 608-831-7600 ♦ FAX: 608-831-9591 ♦ E-MAIL: [nec@pelletron.com](mailto:nec@pelletron.com) ♦ WEB-SITE: <http://www.pelletron.com>