



BEAM HANDLING COMPONENTS

National Electrostatics Corp.

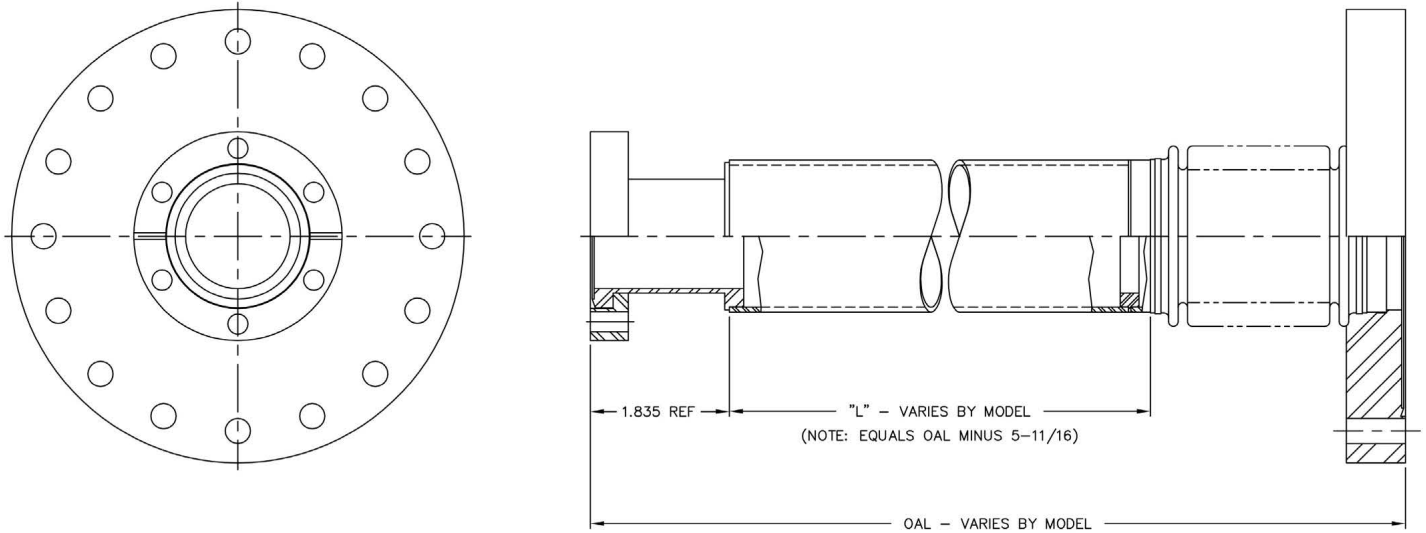
Magnetic Quadrupole Lenses

Below are some of the Magnetic Quadrupole Lenses NEC has provided. Custom lenses may be available to meet your specific needs. Chambers and stands for these lenses are typically provided as well.

	2BA012330 Doublet	2BA012070 Doublet	2BA013251 Triplet	2BA013252 Triplet	2BA013190 Triplet
Number of element groups	2	2	3	3	3
Aperture (pole clearance)	53 mm	53 mm	53 mm	53 mm	53 mm
Element length (ends)	254 mm	125 mm	125 mm	125 mm	56 mm
Element length (center)	N/A	N/A	254 mm	254 mm	125 mm
Element axial separation	149 mm	160 mm	146 mm	146 mm	146 mm
Field gradient	170.5 G/mm	96.1 G/mm	170.5 G/mm	212.6 G/mm	94.5 G/mm
I/V maximum	25 A / 20 VDC	25 A / 20 VDC	25 A / 30 VDC	45 A / 50 VDC	25 A / 30VDC
Cooling	air	air	air	air (fan) 230 VAC	air
Weight	490 kg	380 kg	570 kg	570 kg	425 kg
Overall assembly length	802 mm	515 mm	951 mm	951 mm	530 mm

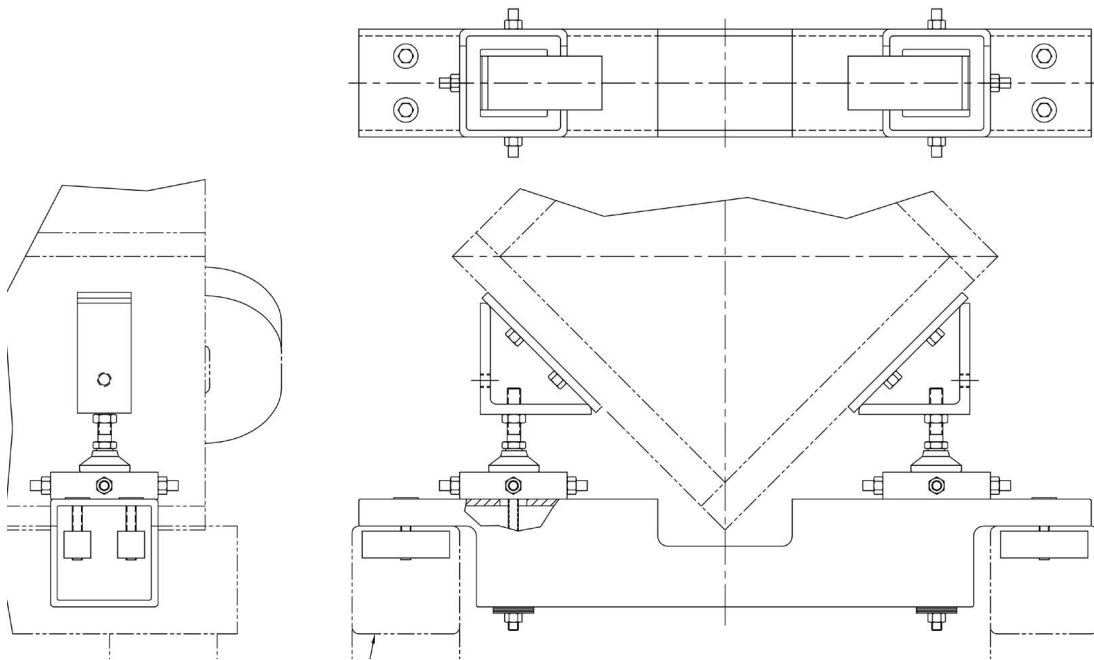
ACCESSORIES

Chambers - all welded construction, vacuum tight



Example of magnetic quadrupole doublet lens chamber

Stands - Support stands for our magnetic quadrupole lenses are designed to be mounted on standard NEC beamline support stands.



Example of a support stand for a MQD2 lens

Contact NEC

 www.pelletron.com

 +1 (608) 831-7600

 nec@pelletron.com

 7540 Graber Rd, Middleton, WI 53562-0310 USA